



Long Distance Wireless Charger



QB-31

7.5W/5W/10W
Stealth Wireless Charger

QB-21 through surface charger, support all Qi-compatible phone, iPhone 7.5W fast charge, Samsung 10W fast charge, it also support all iPhone12 series. With the high charging efficiency and super accurate FOD method (Tseetech exclusively patented), it gives much more impressive customer experience, ensures the safety of the charging process.

It was designed for easy-to-install, easy-to-maintain concept, suitable for all non-metallic tables, such as wooden, glass or PVC etc. The invisible way of installation makes the wireless charging be real wireless.

Key Features:

- Compatible with Qi-BPP 5W, iPhone 7.5W and Samsung 10W
- Support all Qi standard mobile phones
- Used for 20~50mm charging distance through non-metallic solid material between mobile phone and the charger available
- Easy installation
- Resonator pad increases the efficiency and speed of charging
- Over-current/ Over-temperature/ Over-voltage and FOD protection
- FCC/CE certified, FCC ID: 2VAL7QBX1
- Can meet the UL and RoHS requires

Specification

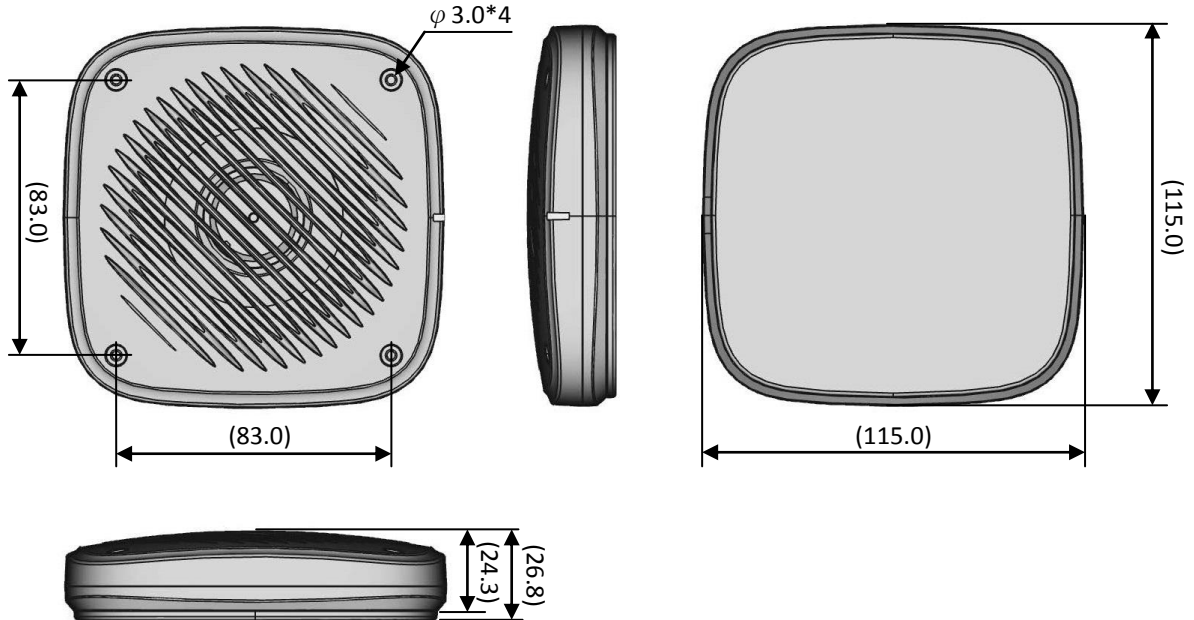
Power Input Interface	DC Jack $\phi 3.5 * \phi 1.35$
Input Power	DC: 19V 0.94A (18W)
Charging Power	5W 、 7.5W 、 10W (max.), delivery to the phone
Support Protocol	Compatible with Qi-BPP, iPhone Fast Charge, Samsung Fast Charge
Standby Power	<0.2W
Charging Distance	20~50mm
Horizontal Freedom	+/- 8 mm
Typical Efficiency	84% @ 30mm (iPhone 8P)
Operating Frequency	115~150KHz
Coil Type	Litz wire wound with ferrite
Operating Environment	0°C ~ 40°C (32°F ~ 104°F) 15 ~ 85% RH (Non-dewing)
Storage Environment	-20°C ~ 70°C (-4°F ~ 158°F) 5 ~ 95% RH (Non-dewing)



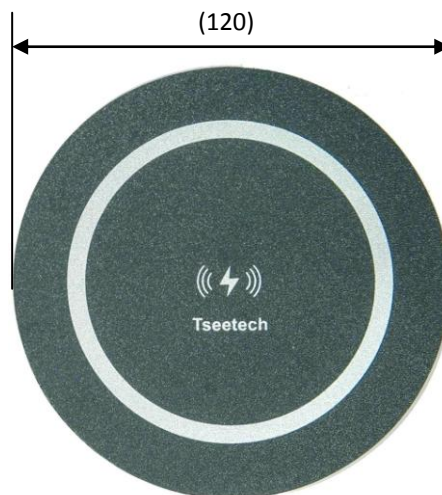
Long Distance Wireless Charger

Mechanical Specification:

Outline Dimension 115.0 mm (l) x 115 mm (w) x 26.8 mm (h)



Resonator Pad Size OD 120mm, 1.50mm max. thickness (Can be Customized)



Unit: mm