



## QB-06

7.5W/5W/10W

Stealth Wireless Charger

QB-06 through surface charger, support all Qi-compatible phone, iPhone 7.5W fast charge, Samsung 10W fast charge, it also support all iPhone12 series. With the high charging efficiency and super accurate FOD method (Tseetech exclusively patented), it gives much more impressive customer experience, ensures the safety of the charging process.

It was designed for easy-to-install, easy-to-maintain concept, suitable for all non-metallic tables, such as wooden, glass or PVC etc. The invisible way of installation makes the wireless charging be real wireless.

### Key Features:

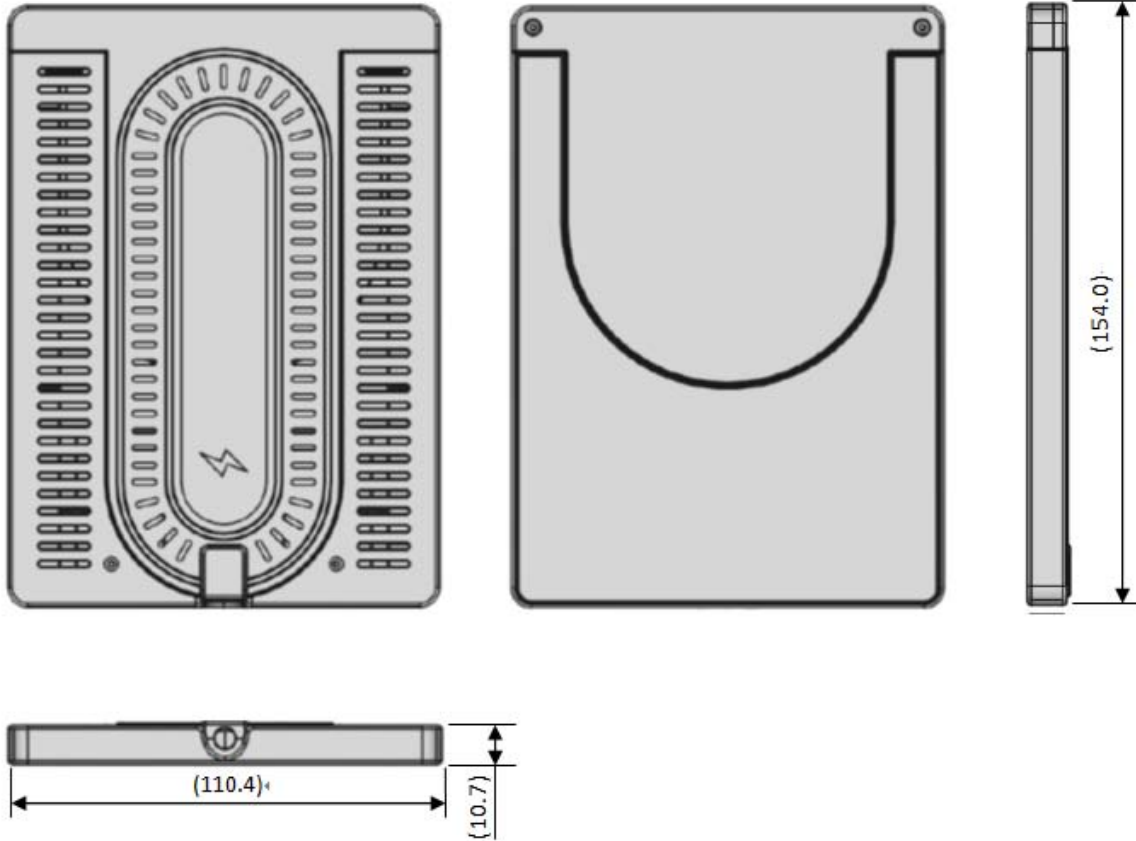
- Compatible with Qi-BPP 5W, iPhone 7.5W and Samsung 10W
- Support all Qi standard mobile phones
- Fully supports the wireless charging of iPhone 12, effectively reducing power loss and heating.
- Used for 10~30mm charging distance through non-metallic solid material between mobile phone and the charger available
- Easy installation
- Over-current/ Over-temperature/ Over-voltage and FOD protection
- CE , FCC certified.
- Can meet the UL and RoHS requires

### Specification

<b>Power Input Interface</b>	DC Jack $\phi 3.5 * \phi 1.35$	
<b>Input Power</b>	DC: 19V 0.94A (18W)	
<b>Charging Power</b>	5W 、 7.5W 、 10W (max.), delivery to the phone	
<b>Support Protocol</b>	Compatible with Qi-BPP, iPhone Fast Charge, Samsung Fast Charge	
<b>Standby Power</b>	<0.3W	
<b>Charging Distance</b>	10~15mm (Don't Need Resonator Pad)	
	15~20mm (Resonator Pad Is Optional)	
	20~30mm (With Resonator Pad)	
<b>Typical Efficiency</b>	80% @25mm ( iPhone 11)	
<b>Operating Frequency</b>	110~150 KHz	
<b>Coil Type</b>	Litz wire wound with ferrite	
<b>Operating Environment</b>	0°C ~ 40°C (32°F ~ 104°F)	15 ~ 85% RH (Non-dewing)
<b>Storage Environment</b>	-20°C ~ 70°C (-4°F ~ 158°F)	5 ~ 95% RH (Non-dewing)

## Mechanical Specification:

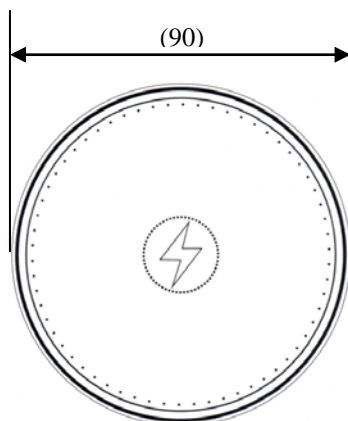
Outline Dimension 154.0 mm (l) x 110.4 mm (w) x 10.7 mm (h)



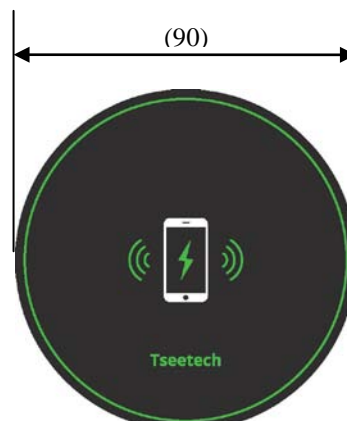
### Sticker/ Resonator Pad

Sticker: OD 90 mm, 0.09mm thickness (Can be Customized)

Resonator Pad: OD 90 mm, 1.50mm max. thickness (Can be Customized)



Sticker



Resonator Pad

Unit: mm